

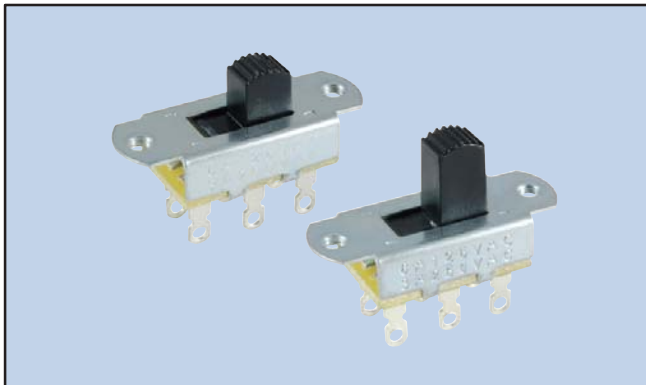
Slide Switches

Slide Switch, Two Circuit



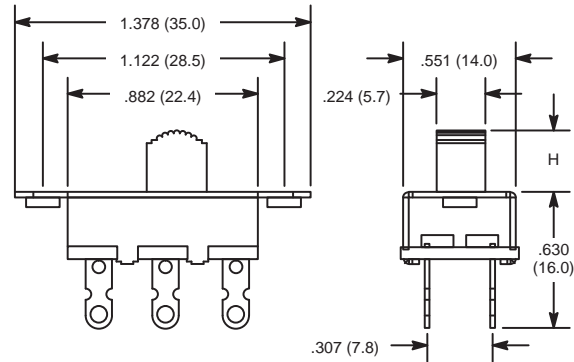
Features

- Sequence - Load 1 ON, Load 2 OFF; Load 2 OFF, Load 1 ON



| NTE Type No. | Circuitry | Poles | Action | | Actuator Height | Diag No. |
|--------------|-----------|--------|--------|-----|-----------------|----------|
| 54-667 | DPDT | 6 Pole | ON | OFF | .276 (7.0) | S123 |
| 54-668 | DPDT | 6 Pole | ON | OFF | .433 (11.0) | S123 |

S123

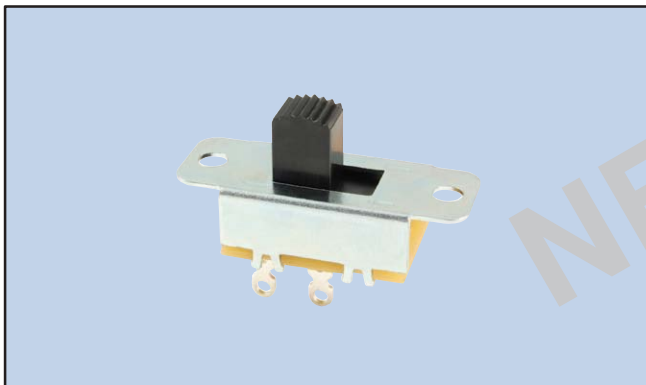


| NTE Type No. | H |
|--------------|-------------|
| 54-667 | .276 (7.0) |
| 54-668 | .433 (11.0) |

Specifications

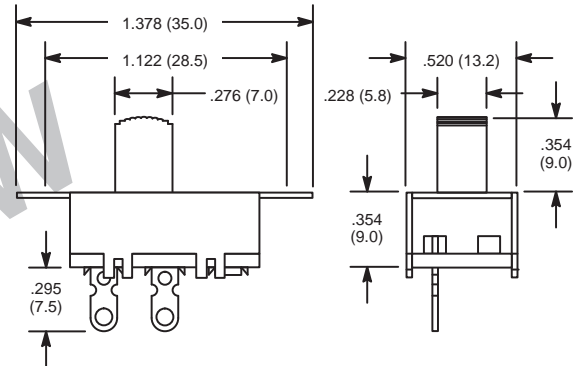
Current Rating: 0.5A 125V, 3A 250VAC, 6A 125 VAC
Insulation Resistance: 150 Megohms (min.)
Dielectric Strength: 1500V RMS (min.)
Temperature Resistance: +221°F (+105°C)
Temperature Rating: +32° to +185°F (+0° to +85°C)
Electrical Life: 6000 cycles (min.)
Mechanical Life: 6000 cycles (min.)
Terminal Type: Solder Lug
Mounting Hole: .551 (14.0) x .276 (7.0)

Slide Switch



| NTE Type No. | Circuitry | Poles | Action | | Actuator Height | Diag No. |
|--------------|-----------|--------|--------|-----|-----------------|----------|
| 54-719 | SPST | 2 Pole | ON | OFF | .354 (9.0) | S137 |

S137

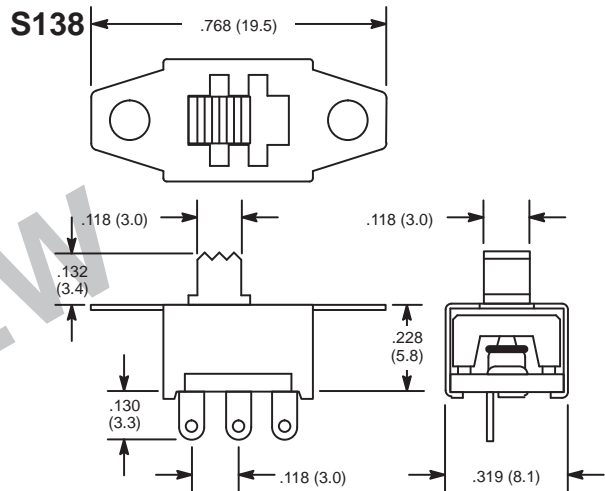
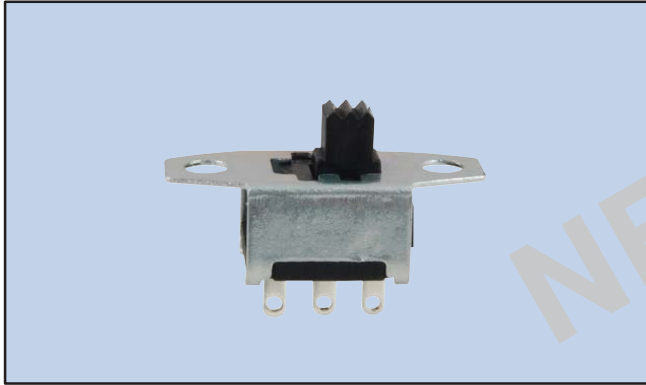


Specifications

Current Rating: 6A 125VAC, 3A 250VAC
Insulation Resistance: 100 Megohms (min.) at 500VDC
Dielectric Strength: 1000V RMS (min.)
Temperature Rating: +32° to +149°F (+0° to +65°C)
Electrical Life: 6000 cycles
Mechanical Life: 10000 cycles
Terminal Type: Solder Lug
Mounting Hole: .512 (13.0) x .256 (6.5)

Slide Switches

Slide Switch



| NTE Type No. | Circuitry | Poles | Action | | Actuator Height | Diag No. |
|--------------|-----------|--------|--------|----|-----------------|----------|
| 54-720 | SPDT | 3 Pole | ON | ON | .132 (3.4) | S138 |

Specifications

- Current Rating:** 3A 125VAC, 1.5A 250VAC
- Insulation Resistance:** 100 Megohms (min.) at 500VDC
- Dielectric Strength:** 1000V RMS (min.)
- Temperature Rating:** +32° to +149°F (+0° to +65°C)
- Electrical Life:** 6000 cycles
- Mechanical Life:** 10000 cycles
- Terminal Type:** Solder Lug
- Mounting Hole:** .236 (6.0) x .138 (3.5)