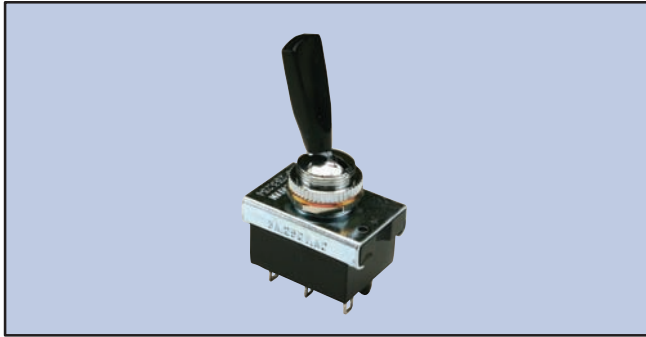
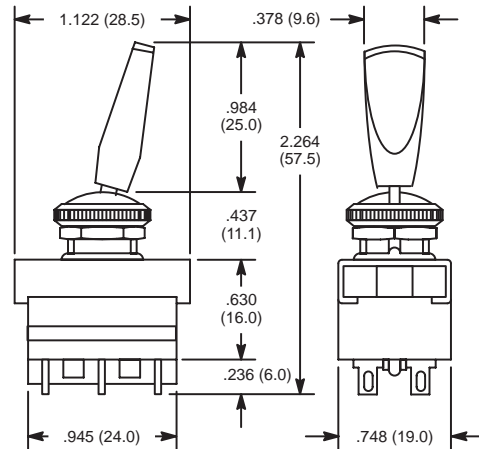


# Paddle Toggle



NTE Type No.	Circuitry	Action			Actuator	Diag No.
54-381	DPDT	ON	OFF	ON	Black ABS Resin	S69

S69



## Specifications

**Current Rating:** 6A 250VAC  
**Insulation Resistance:** 100 Megohms (min.) at 500VDC  
**Dielectric Strength:** 1500V RMS (min.)  
**Temperature Rating:** +14° to +131°F (-10° to +55°C)  
**Electrical Life:** 6,000 cycles  
**Mechanical Life:** 30,000 cycles  
**Terminal Type:** Solder Lug  
**Mounting Hole:** .472 (12.0)

# Nylon Paddle Toggle

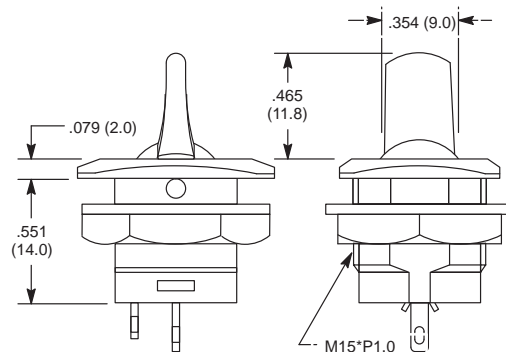


## Features

- Solder Lug Terminals



S129



## Specifications

**Current Rating:** 6A 125VAC, 3A 250VAC  
**Insulation Resistance:** 100 Megohms (min.) at 500VDC  
**Dielectric Strength:** 1500V RMS (min.)  
**Temperature Rating:**  
**Electrical Life:**  
**Mechanical Life:**  
**Terminal Type:** Solder Lug  
**Mounting Hole:** .590 (15.0)

	NTE Type No.	Circuitry	Action			Actuator	Diag No.
NEW	54-723	SPDT	ON	NONE	ON	Black Nylon	S129
NEW	54-724	SPST	OFF	NONE	ON	Black Nylon	S129
NEW	54-725	SPDT	ON	OFF	ON	Black Nylon	S129
NEW	54-726	SPDT	(ON)	NONE	ON	Black Nylon	S129