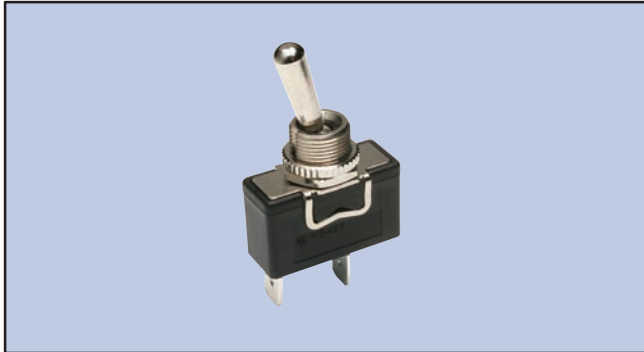


Waterproof Bat Handle Toggle



Features

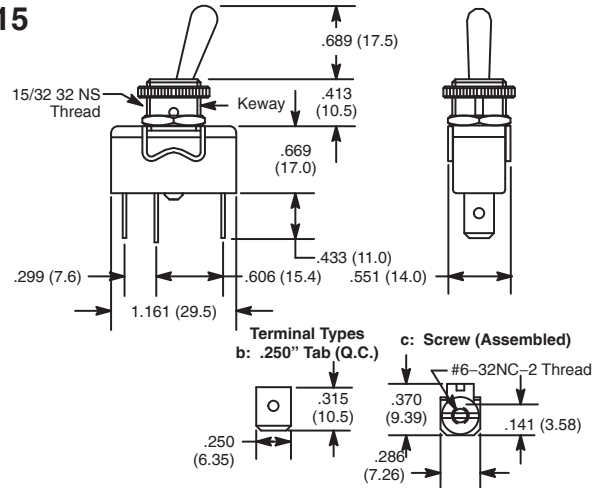
- Waterproof: IP56
- Single Pole Types
- Internal "O" Ring for Moisture and Dust Resistance
- .250" Quick Connect Terminals



NTE Type No.	Circuitry	Current Rating	Action			Actuator	Diag No.
54-348W#	SPST	B	ON	NONE	OFF	Brass/Nickel Plate	S115b
54-349W	SPDT	A	ON	NONE	ON	Brass/Nickel Plate	S115b
54-350W	SPDT	A	ON	OFF	ON	Brass/Nickel Plate	S115b
54-352W##	SPDT	A	(ON)	OFF	(ON)	Brass/Nickel Plate	S115b
54-354W	SPST	B	ON	NONE	OFF	Brass/Nickel Plate	S115c
54-355W##	SPDT	A	ON	NONE	ON	Brass/Nickel Plate	S115c
54-356W	SPDT	A	ON	OFF	ON	Brass/Nickel Plate	S115c
54-358W##	SPDT	A	(ON)	OFF	(ON)	Brass/Nickel Plate	S115c

SPECIAL NOTE: () = Momentary Function
 # UL for 16 Amp ONLY
 ## UL for 12 Amp ONLY

S115



Specifications

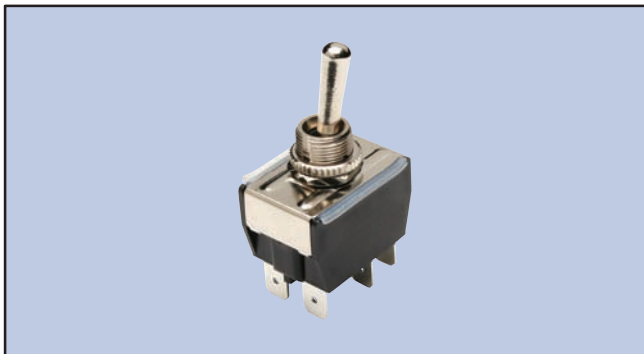
- Current Rating:**
 A: 16A 277VAC, 1 HP
 B: 20A 277VAC, 1 HP
- Insulation Resistance:** 100 Megohms (min.) at 500VDC
Dielectric Strength: 1500V RMS (min.)
Temperature Rating: +32° to +149°F (0° to +65°C)
Electrical Life: 6,000 cycles
Mechanical Life: 10,000 cycles at full load
Terminal Type: Refer to Diag No. in Table
Mounting Hole: .472 (12.0)

Waterproof Bat Handle Toggle



Features

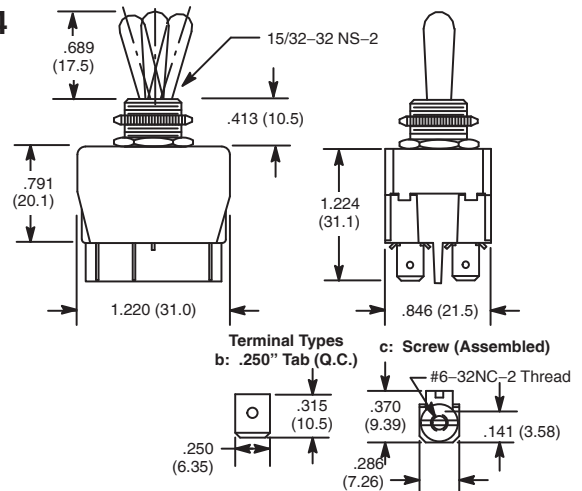
- Waterproof: IP56
- Double Pole Types
- Internal "O" Ring for Moisture and Dust Resistance
- .250" Quick Connect Terminals



NTE Type No.	Circuitry	Current Rating	Action			Actuator	Diag No.
54-360W	DPDT	A	ON	NONE	ON	Brass/Nickel Plate	S114b
54-361W	DPDT	A	ON	OFF	ON	Brass/Nickel Plate	S114b
54-364W	DPDT	A	(ON)	OFF	(ON)	Brass/Nickel Plate	S114b
54-366W##	DPST	B	ON	NONE	OFF	Brass/Nickel Plate	S114b
54-367W	DPST	B	ON	NONE	OFF	Brass/Nickel Plate	S114c
54-369W	DPDT	A	ON	NONE	ON	Brass/Nickel Plate	S114c
54-370W##	DPDT	A	ON	OFF	ON	Brass/Nickel Plate	S114c
54-373W	DPDT	A	(ON)	OFF	(ON)	Brass/Nickel Plate	S114c

SPECIAL NOTE: () = Momentary Function
 ## UL for 12 Amp ONLY

S114



Specifications

- Current Rating:**
 A: 16A 250VAC, 1 HP
 B: 20A 277VAC, 1 HP
- Insulation Resistance:** 100 Megohms (min.) at 500VDC
Dielectric Strength: 1500V RMS (min.)
Temperature Rating: +32° to +149°F (0° to +65°C)
Electrical Life: 6,000 cycles
Mechanical Life: 10,000 cycles at full load
Terminal Type: Refer to Diag No. in Table
Mounting Hole: .472 (12.0)