

Snap Action, Standard



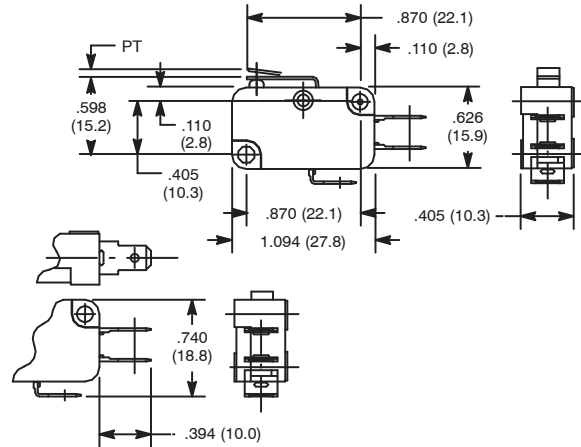
Features

- Actuator: Short Hinge Lever



NTE Type No.	Circuitry	Max. Pre-Travel	Min. Over Travel	Max. Operating Force	Max. Differential	Diag No.
54-421	SPDT	0.05"	0.05"	200g	0.01"	S65

S65



Quick Connect Terminals

Specifications

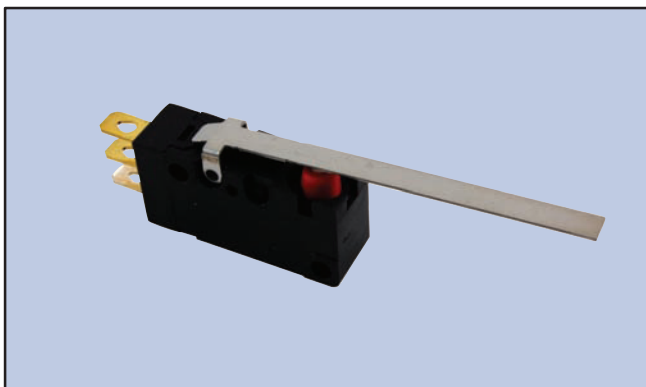
- Current Rating:** 10A 250VAC, 0.1A 125VDC
- Contact Resistance:** 30 Milliohms (max.) initial
- Insulation Resistance:** 100 Megohms at 500VDC
- Dielectric Strength:** 1000VAC between non-continuous terminals
- Temperature Rating:** -13° to +176°F (-25° to +80°C)
- Electrical Life:** 300,000 cycles min. (under rated load)
- Mechanical Life:** 50,000,000 cycles min.
- Terminal Type:** .187" Quick Connect Terminals

Snap Action, Sealed, Miniature



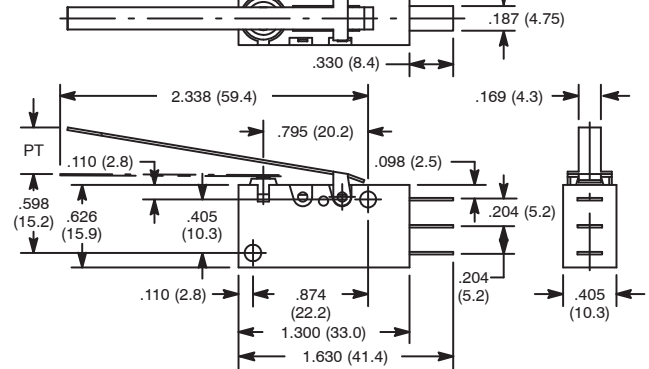
Features

- Actuator: Long Hinge Lever
- Sealed Construction (Meets IP50 Requirements)
- RoHS Compliant



NTE Type No.	Circuitry	Max. Pre-Travel	Min. Over Travel	Max. Operating Force	Max. Differential	Diag No.
54-480WT	SPDT	0.35"	0.13"	60g	0.03"	S110
54-481WT	SPDT	0.35"	0.13"	60g	0.03"	S110

S110



Specifications

- Current Rating:**
 - 54-480WT: 5A 125/250VAC (Note: UL/CSA for 3 Amp Only), 5A 30VDC, 0.4A 125VDC, 0.2A 250VDC
 - 54-481WT: 0.1A 125VAC, 0.1A 30VDC
- Contact Resistance:** 100 Milliohms (max.) initial
- Insulation Resistance:** 100 Megohms (min.) at 500VDC
- Dielectric Strength (50/60Hz for 1 min.):**
 - Between Contacts of Same Polarity: 1000VAC
 - Between Each Terminal & GND: 1500VAC
- Temperature Rating:** -40° to +194°F (-40° to +90°C)
- Electrical Life:** 100,000 (5A Type); 1,000,000 (0.1A Type) cycles min.
- Mechanical Life:** 10,000,000 cycles min.
- Terminal Type:** Solder Lug and #187 Tab Terminals