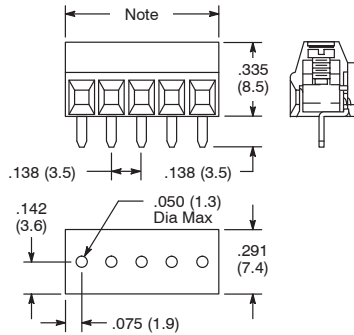


EUROSTYLE TERMINAL BLOCKS

25-E100 Series PC Mount



Note: .138 (3.5) x (P-1) + .150 (3.8)

Pitch: 3.5mm

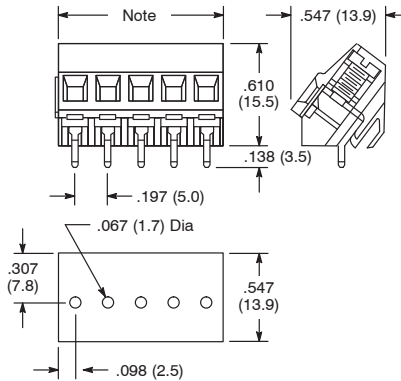
Specifications

Approval	c US
Rated Voltage	300V
Rated Current	10A
Wire Range	-
Solid Wire (AWG)	26 - 16
Stranded Wire (AWG/mm ²)	-
Rated Surge Voltage (UL/Max.)	1.6KV / 3KV
Torque (Lb-in)	1.5
Screw Type	M2
Wire Strip Length	.175 - .197" (4 - 5mm)

Ordering Information

Number of Poles	NTE Part Number
02	25-E100-02
03	25-E100-03
04	25-E100-04
05	25-E100-05
06	25-E100-06
07	25-E100-07
08	25-E100-08
09	25-E100-09
10	25-E100-10

25-E300 Series PC Mount



Note: .197 (5.0) x P

Pitch: 5mm

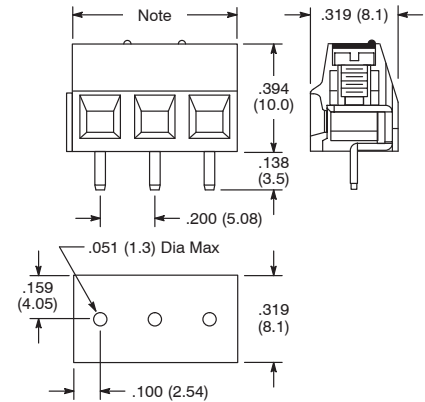
Specifications

Approval	c US
Rated Voltage	300V
Rated Current	20A
Wire Range	-
Solid Wire (AWG)	24 - 12
Stranded Wire (AWG/mm ²)	24 - 12
Rated Surge Voltage (UL/Max.)	1.6KV / 3KV
Torque (Lb-in)	4.4
Screw Type	M2.5
Wire Strip Length	.236 - .276" (6 - 7mm)

Ordering Information

Number of Poles	NTE Part Number
02	25-E300-02
03	25-E300-03

25-E500 Series PC Mount



Note: .200 (5.08) x P

Pitch: 5.08mm

Specifications

Approval	c US
Rated Voltage	300V
Rated Current	13.5A
Wire Range	-
Solid Wire (AWG)	30 - 14
Stranded Wire (AWG/mm ²)	30 - 14
Rated Surge Voltage (UL/Max.)	1.6KV / 3KV
Torque (Lb-in)	5
Screw Type	M2.5
Wire Strip Length	.236 - .276" (6 - 7mm)

Ordering Information

Number of Poles	NTE Part Number
02	25-E500-02
03	25-E500-03