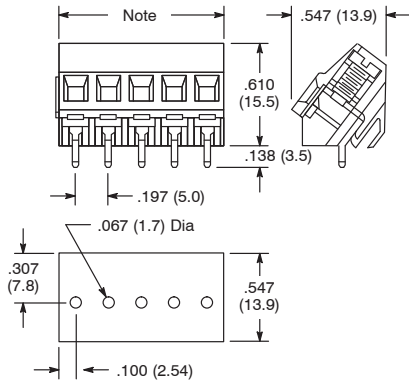


EUROSTYLE TERMINAL BLOCKS

25-E600 Series PC Mount



Note: .200 (5.08) x P

Pitch: 5.08mm

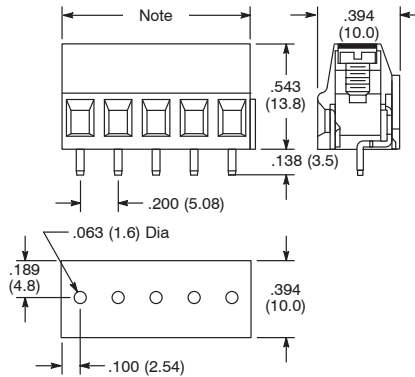
Specifications

Approval	
Rated Voltage	300V
Rated Current	20A
Wire Range	-
Solid Wire (AWG)	24 - 12
Stranded Wire (AWG/mm ²)	24 - 12
Rated Surge Voltage (UL/Max.)	1.6KV / 3KV
Torque (Lb-in)	4.4
Screw Type	M2.5
Wire Strip Length	.236 - .276" (6 - 7mm)

Ordering Information

Number of Poles	NTE Part Number
02	25-E600-02
03	25-E600-03

25-E700 Series PC Mount



Note: .200 (5.08) x P

Pitch: 5.08mm

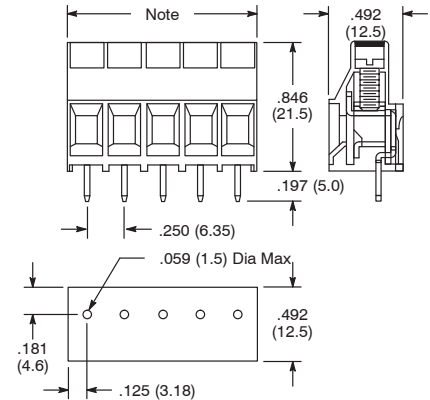
Specifications

Approval	
Rated Voltage	300V
Rated Current	20A
Wire Range	-
Solid Wire (AWG)	24 - 12
Stranded Wire (AWG/mm ²)	24 - 12
Rated Surge Voltage (UL/Max.)	1.6KV / 3KV
Torque (Lb-in)	4.4
Screw Type	M2.5
Wire Strip Length	.236 - .276" (6 - 7mm)

Ordering Information

Number of Poles	NTE Part Number
02	25-E700-02
03	25-E700-03
04	25-E700-04
05	25-E700-05
06	25-E700-06
07	25-E700-07
08	25-E700-08
09	25-E700-09
10	25-E700-10

25-E1700 Series PC Mount



Note: .250 (6.35) x (P-1) + .251 (6.36)

Pitch: 6.35mm

Specifications

Approval	
Rated Voltage	300V
Rated Current	30A
Wire Range	-
Solid Wire (AWG)	26 - 10
Stranded Wire (AWG/mm ²)	26 - 10
Rated Surge Voltage (UL/Max.)	1.6KV / 4KV
Torque (Lb-in)	7
Screw Type	M3
Wire Strip Length	.394 - .433" (10 - 11mm)

Ordering Information

Number of Poles	NTE Part Number
02	25-E1700-02
03	25-E1700-03