



ELECTRONICS, INC.

44 FARRAND STREET
BLOOMFIELD, NJ 07003
(973) 748-5089
<http://www.nteinc.com>

NTE1102 Integrated Circuit 3 Stage Audio Amplifier

Features:

- Recommended for Driver of Push–Pull Output Stage
- Possible to Drive 4 Watt Output Stage
- Wide Range of Supply Voltage

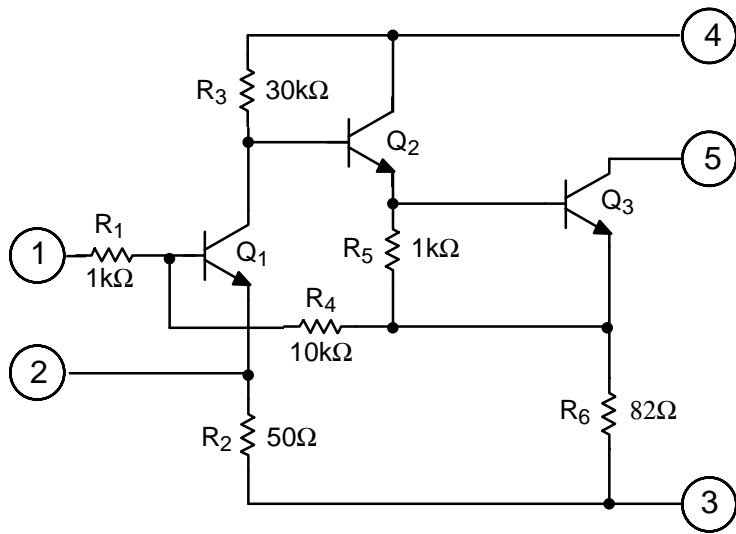
Absolute Maximum Ratings: ($T_A = +25^\circ\text{C}$ unless otherwise specified)

Supply Voltage, V_{CC}	20V
Source Current, I_{CC}	15mA
Internal Power Dissipation, P_T	300mW
Input Voltage, V_{IN}	$\pm 3V$
Operating Temperature Range, T_{opr}	-30° to $+75^\circ\text{C}$
Storage Temperature Range, T_{stg}	-55° to $+125^\circ\text{C}$

Electrical Characteristics: ($T_A = +25^\circ\text{C}$, $V_{CC} = 10V$ unless otherwise specified)

Parameter	Symbol	Test Conditions	Min	Typ	Max	Unit
Collector Current	I_{c5}		–	10	–	mA
Output Power	P_{OUT}	$f = 1\text{kHz}$, $Z_L = 1\text{k}\Omega$, $KF = 5\%$	–	30	–	mW
Voltage Gain	G_V	$f = 1\text{kHz}$, $Z_L = 1\text{k}\Omega$	40	–	–	dB
Input Resistance	R_{IN}	$f = 1\text{kHz}$, $Z_L = 1\text{k}\Omega$	–	1.0		$\text{k}\Omega$
Output Resistance	R_{OUT}	$f = 1\text{kHz}$	10	–	–	$\text{k}\Omega$

Equivalent Circuit



Pin Connection Diagram (Front View)

