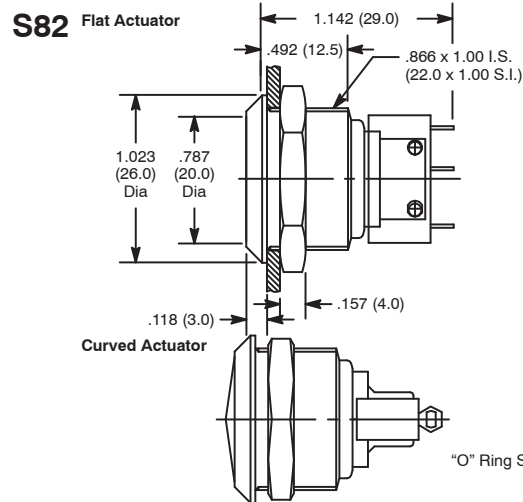


Security Pushbutton, Single Pole



Features

- .866" (22mm) bushing diameter
- Large Actuator



Specifications

Contact Rating: 5A 250VAC max.
Initial Contact Resistance: 100 Milliohms (max.)
Insulation Resistance: 1000 Megohms (min.) at 500VDC
Dielectric Strength: 2000V RMS (min.)
Temperature Rating: -4° to +131°F (-20° to +55°C)
Electrical Life: 1,000,000 cycles (min.) at 1A 250VAC or 100,00 cycles at full load
Mechanical Life: 3,000,000 cycles min.
Terminal Type: Solder Lug
Mounting Hole: .874 (22.2)

NTE Type No.	Circuitry	Action		Actuator	Diag No.
54-466	SPST-NO/NC	ON	(OFF)	Stainless Steel, Flat	S82
54-468	SPST-NO/NC	ON	(OFF)	Stainless Steel, Curved	S82

SPECIAL NOTE: () = Momentary Function

Security Pushbutton, Single Pole

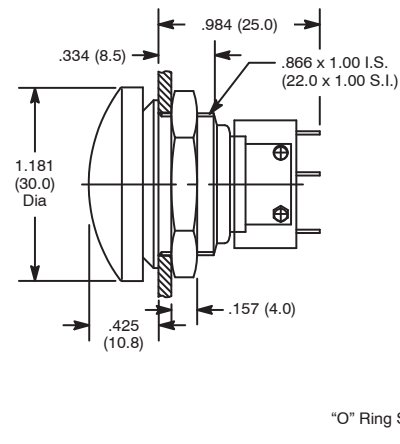


Features

- .866" (22mm) bushing diameter
- Mushroom Head Actuator



S83



Specifications

Contact Rating: 5A 250VAC max.
Initial Contact Resistance: 100 Milliohms (max.)
Insulation Resistance: 1000 Megohms (min.) at 500VDC
Dielectric Strength: 2000V RMS (min.)
Temperature Rating: -4° to +131°F (-20° to +55°C)
Electrical Life: 1,000,000 cycles (min.) at 1A 250VAC or 100,00 cycles at full load
Mechanical Life: 1,000,000 cycles min.
Terminal Type: Solder lug
Mounting Hole: .874 (22.2)

NTE Type No.	Circuitry	Action		Actuator	Diag No.
54-470	SPST-NO/NC	ON	(OFF)	Nickel Plated Brass, Black	S83

SPECIAL NOTE: () = Momentary Function