

Waterproof Dual Color Illuminated Rocker

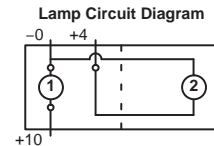
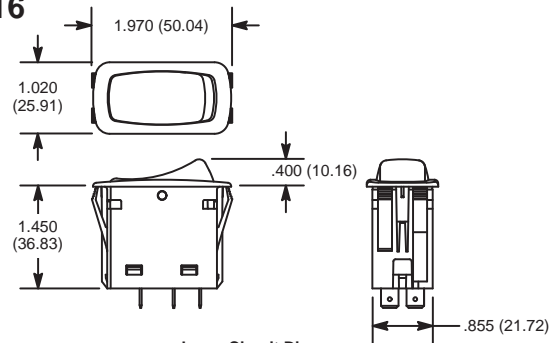


Features

- IP67 Certified
- Single and Double Pole
- Dual Color Types
- .250" Quick Connect Terminals



S116



NTE Type No.	Circuitry	Action			Actuator				Diag No.
					Material	Color		Vltg	
						Neon	LED		
54-150	SPST	ON	NONE	OFF	Nylon	-	Amber/Green	DC	S116
54-151	SPST	(ON)	NONE	OFF	Nylon	-	Amber/Green	DC	S116
54-153	SPDT	ON	OFF	ON	Nylon	-	Amber/Green	DC	S116
54-154	SPDT	ON	OFF	(ON)	Nylon	-	Amber/Green	DC	S116
54-157	DPDT	ON	NONE	ON	Nylon	-	Amber/Green	DC	S116
54-158	DPDT	(ON)	OFF	(ON)	Nylon	-	Amber/Green	DC	S116

SPECIAL NOTE: () = Momentary Function

Specifications

Current Rating: 20A 12VDC
Lamp Voltage: 12V LED (DC)
Insulation Resistance: 50 Megohms
Dielectric Strength:
 Between Pole to Pole: 1250 VRMS
 Between Live Parts & Accessible Surfaces: 3750 VRMS
Temperature Rating: -40° to +185°F (-40° to +85°C)
Electrical Life: 100,000 cycles maintained
 50,000 cycles momentary at rated voltage & current
Mechanical Life: 250,000 cycles min.
Terminal Type: .250" Tab Q.C.
Mounting Hole: 1.734 (44.04) x .867 (22.02)

Round Hole Illuminated Rocker, Square Bezel

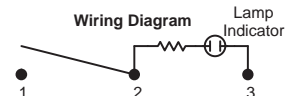
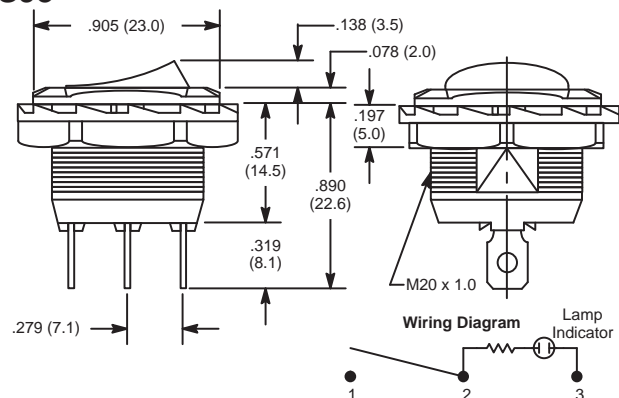


Features

- Illuminated LED Indicator



S93



Specifications

Current Rating: 20A 12VDC
Lamp Voltage: 2V @ 20mA LED (DC)
Insulation Resistance: 100 Megohms (min.) at 500VDC
Dielectric Strength: 1500V RMS (min.)
Temperature Rating: -13° to +185°F (-25° to +85°C)
Electrical Life: 6000 cycles (min.)
Mechanical Life: 100,000 cycles (min.)
Terminal Type: .187" Tab Q.C.
Mounting Hole: .795 (20.2)

NTE Type No.	Circuitry	Action			Actuator				Diag No.
					Material	Color		Vltg	
						Neon	LED		
54-645	SPST	ON	NONE	OFF	Nylon	-	Red	DC	S93
54-645-A	SPST	ON	NONE	OFF	Nylon	-	Amber	DC	S93
54-645-G	SPST	ON	NONE	OFF	Nylon	-	Green	DC	S93
54-645-B	SPST	ON	NONE	OFF	Nylon	-	Blue	DC	S93

NEW
NEW
NEW
NEW