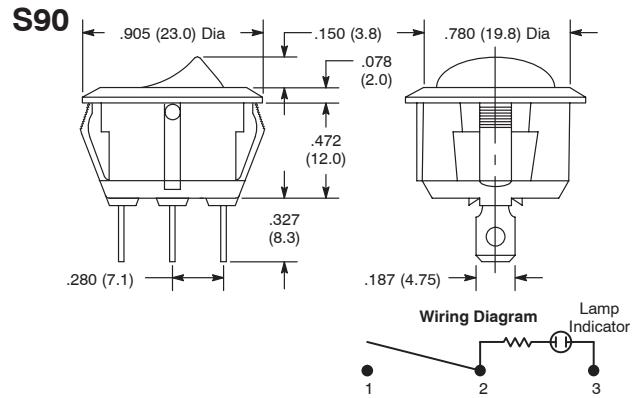


# Snap-In Round Hole Illuminated Rocker



## Features

- AC and DC Types



## Specifications

**Current Rating:** 16A 125VAC, 10A 250VAC  
**Lamp Voltage:** 110V Neon (AC) & 2V @ 20mA\* LED (DC)  
**Insulation Resistance:** 100 Megohms (min.) at 500VDC  
**Dielectric Strength:** 1500V RMS (min.)  
**Temperature Rating:** -4° to +149°F (-20° to +65°C)  
**Electrical Life:** 6000 cycles (min.)  
**Mechanical Life:** 100,000 cycles (min.)  
**Terminal Type:** .187" Tab Q.C.  
**Mounting Hole:** .795 (20.2)  
 \* Resistor needed for other voltages.

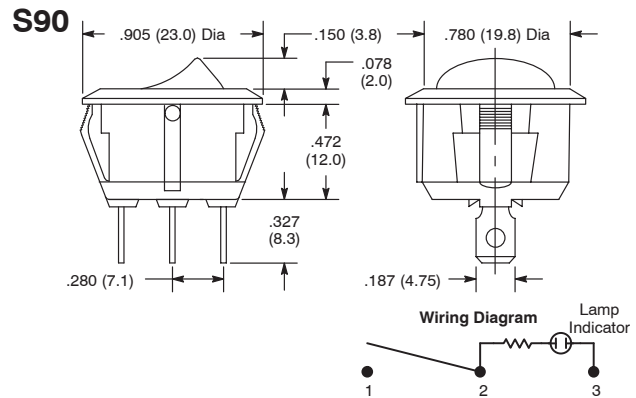
NTE Type No.	Circuitry	Action			Actuator				Diag No.
					Material	Color		Vltg	
						Neon	LED		
54-506	SPST	ON	NONE	OFF	Nylon	Red	-	AC	S90
54-532	SPST	ON	NONE	OFF	Nylon	Amber	-	AC	S90
54-533	SPST	ON	NONE	OFF	Nylon	Green	-	AC	S90
54-534	SPST	ON	NONE	OFF	Nylon	-	Red	DC	S90
54-535	SPST	ON	NONE	OFF	Nylon	-	Amber	DC	S90
54-536	SPST	ON	NONE	OFF	Nylon	-	Green	DC	S90
54-537	SPST	ON	NONE	OFF	Nylon	-	Blue	DC	S90

# Snap-In Round Hole Illuminated Rocker



## Features

- Waterproof Types Available on Page 27



## Specifications

**Current Rating:** 16A 125VAC, 10A 250VAC  
**Lamp Voltage:** 110V (AC) Neon, 12V (DC) Incandescent  
**Insulation Resistance:** 100 Megohms (min.) at 500VDC  
**Dielectric Strength:** 1500V RMS (min.)  
**Temperature Rating:** -4° to +149°F (-20° to +65°C)  
**Electrical Life:** 6000 cycles (min.)  
**Mechanical Life:** 100,000 cycles (min.)  
**Terminal Type:** .187" Tab Q.C.  
**Mounting Hole:** .795 (20.2)

NTE Type No.	Circuitry	Action			Actuator			Diag No.	
					Material	Color			Vltg
						Neon	LED		
54-525	SPST	ON	NONE	OFF	Nylon	Amber	AC	S90	
54-526	SPST	ON	NONE	OFF	Nylon	Green	AC	S90	
54-527	SPST	ON	NONE	OFF	Nylon	Red	DC	S90	
54-528	SPST	ON	NONE	OFF	Nylon	Amber	DC	S90	
54-529	SPST	ON	NONE	OFF	Nylon	Green	DC	S90	
54-530	SPST	ON	NONE	OFF	Nylon	Blue	DC	S90	
54-531	SPST	ON	NONE	OFF	Nylon	Red	AC	S90	