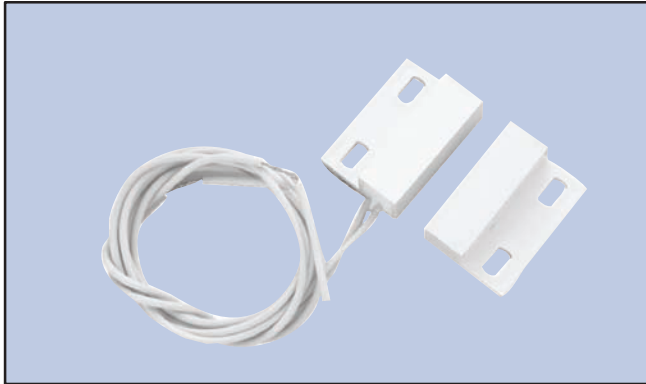


# Magnetic Alarm Reed Switch

## Features

- Mini Stick-On Surface Mount Contact with Side Leads
- 18" Long Side Wire Leads
- Adhesive & Screw Mounting
- Operating Gap\*: 3/4" (19mm) min.

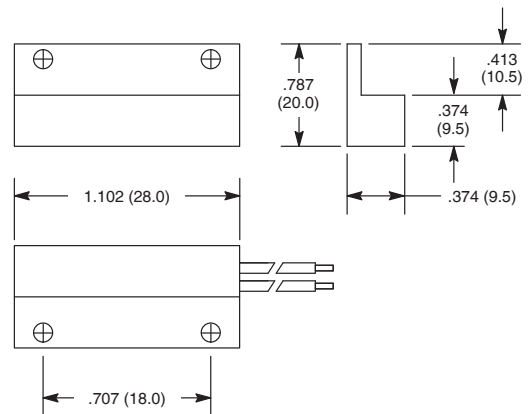


NTE Type No.	Circuitry	Action	Actuator	Diag No.
54-632	SPST-NO	NO for Closed Loop System	Magnet	S103

NOTE: The circuit is open when the magnet is not present.

\* The operating gap is the maximum distance that the magnet can be from the switch before operation is released.

## S103



## Specifications

**Contact Rating:** 10W/VA

**Contact Resistance:** 150 milliohms.

**Contact Material:** Ruthenium Oxide over Palladium

**Switching Voltage:** 200 VDC max.

**Switching Current:** 500mA max.

**Insulation Resistance:** 10 gigohms

**Shock Resistance:** 30G for 11mS

**Vibration Resistance:** 20G (10 to 1000Hz)

**Life Expectancy:** 20,000,000 cycles (resistive load, 12VDC, 250mA)

**Operating Gap:** .748" (19mm) min.

**Terminal Type:** Wire Leads

**Mounting Hole:** .250" (6.35mm)

# Magnetic Roller Ball Switch

## Features

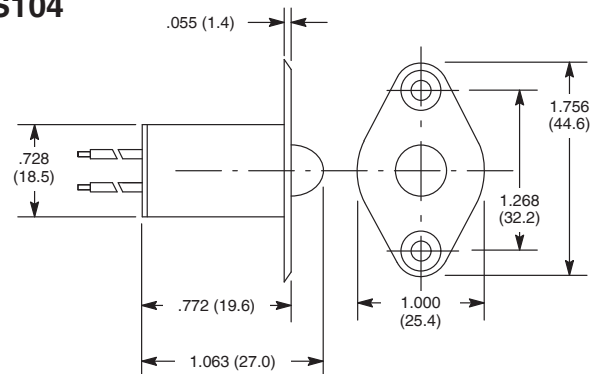
- 3/8" Dia with 18" Long Wire Leads
- Flange for Reliable Retention
- Suitable For Sliding as well as Swing Doors



NTE Type No.	Circuitry	Action	Actuator	Diag No.
54-633	SPST-NO	NO for Closed Loop System	Magnet	S104

NOTE: The circuit is open when the ball is not depressed.

## S104



## Specifications

**Contact Rating:** 10W/VA

**Contact Resistance:** 150 milliohms.

**Contact Material:** Ruthenium Oxide over Palladium

**Switching Voltage:** 200 VDC max.

**Switching Current:** 500mA max.

**Insulation Resistance:** 10 gigohms

**Shock Resistance:** 30G for 11mS

**Vibration Resistance:** 20G (10 to 1000Hz)

**Life Expectancy:** 20,000,000 cycles (resistive load, 12VDC, 250mA)

**Terminal Type:** Wire Leads

**Mounting Hole:** .375" (9mm)