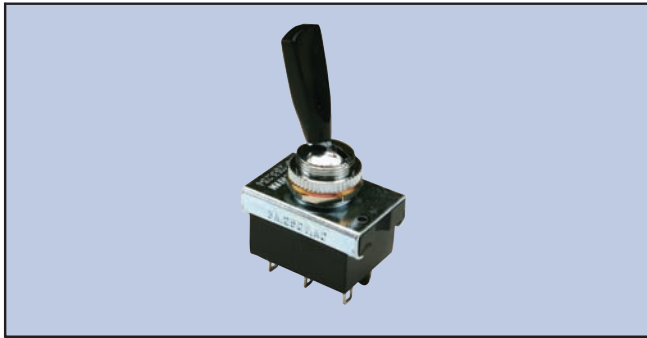
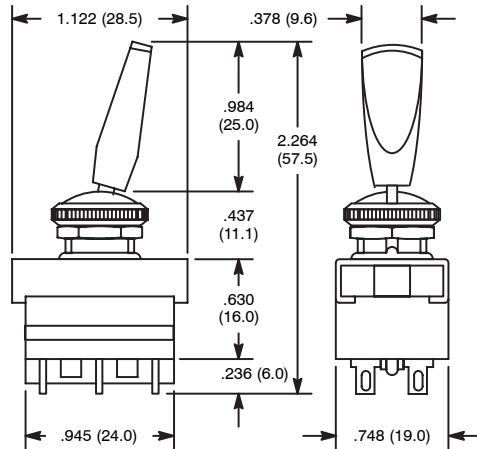


# Paddle Toggle



NTE Type No.	Circuitry	Action			Actuator	Diag No.
54-381	DPDT	ON	OFF	ON	Black ABS Resin	S69

**S69**



## Specifications

- Current Rating:** 6A 250VAC
- Insulation Resistance:** 100 Megohms (min.) at 500VDC
- Dielectric Strength:** 1500V RMS (min.)
- Temperature Rating:** +14° to +131°F (-10° to +55°C)
- Electrical Life:** 6,000 cycles
- Mechanical Life:** 30,000 cycles
- Terminal Type:** Solder Lug
- Mounting Hole:** .472 (12.0)