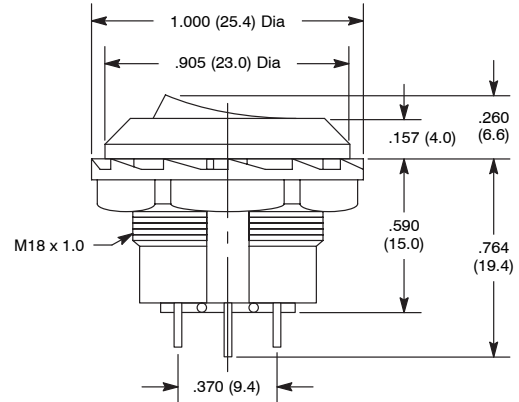


Round Hole Rocker



NTE Type No.	Circuitry	Action			Actuator	Legend	Diag No.
54-500	SPST	ON	NONE	OFF	Nylon	Yes	S89
54-501	SPDT	ON	NONE	ON	Nylon	No	S89
54-502	DPDT	ON	NONE	ON	Nylon	No	S89

S89



Specifications

Current Rating: 10A 125VAC, 6A 250VAC
Insulation Resistance: 100 Megohms (min.) at 500VDC
Dielectric Strength: 1000V RMS (min.)
Temperature Rating: -4° to +149° (-20°C to +65°C)
Electrical Life: 6000 cycles (min.)
Mechanical Life: 100,000 cycles (min.)
Terminal Type: Solder Lug
Mounting Hole: .717 (18.2)

Snap-In Round Hole Rocker



Features

- Waterproof Types Available on Page 26



NTE Type No.	Circuitry	Action			Actuator	Legend	Diag No.
54-503	SPST	ON	NONE	OFF	Nylon	Yes	S90
54-504	SPDT	ON	OFF	ON	Nylon	No	S90
54-505	SPDT	ON	NONE	ON	Nylon	No	S90
54-520	SPST	(ON)	NONE	OFF	Nylon	Yes	S90
54-521	SPST	ON	NONE	(OFF)	Nylon	Yes	S90
54-522	SPDT	ON	NONE	(ON)	Nylon	Yes	S90

SPECIAL NOTE: () = Momentary Function

S90

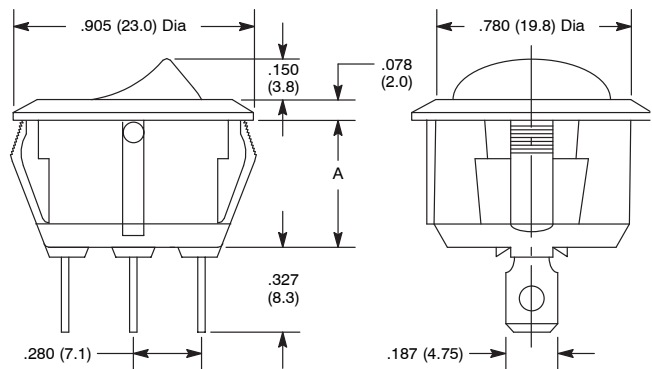


Table 1.

Device Type	A
All Devices	.472 (12.0)
54-504	.570 (14.5)

Specifications

Current Rating: 16A 125VAC, 10A 250VAC
Insulation Resistance: 100 Megohms (min.) at 500VDC
Dielectric Strength: 1500V RMS (min.)
Temperature Rating: -4° to +149°F (-20° to +65°C)
Electrical Life: 6000 cycles (min.)
Mechanical Life: 100,000 cycles (min.)
Terminal Type: .187" Tab Q.C.
Mounting Hole: .795 (20.2)