

Illuminated Toggle Switches

Bat and Paddle Handle

Features

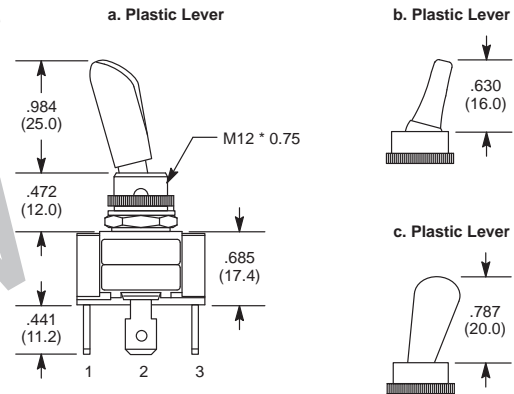
- .250" Quick-Connect Terminals



NTE Type No.	Circuitry	Action			Actuator			Diag No.	
					Material	Color			Vltg
						Neon	LED		
54-714	SPST	ON	NONE	OFF	PC	-	Red	DC	S128b
54-715	SPST	ON	NONE	OFF	PC	-	Red	DC	S128c
54-716	SPST	ON	NONE	OFF	PC	-	Note 1	DC	S128a

Note 1. ON is green lighted, OFF is red lighted.

S128



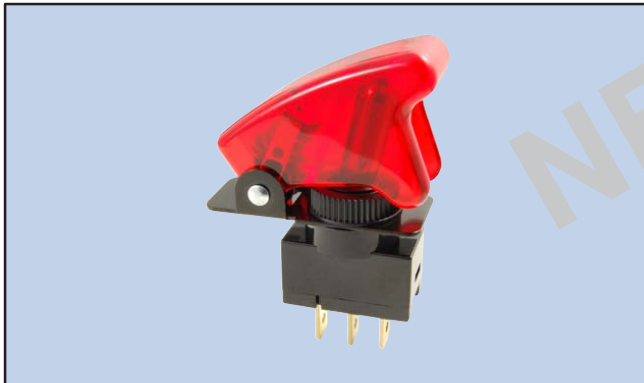
Specifications

Current Rating: 20A 12VDC, 10A 24VDC
Lens Color: See Table
Lamp Voltage: 12V LED (DC)
Insulation Resistance: 100 Megohms (min.) at 500VDC
Dielectric Strength: 1500V RMS (min.)
Temperature Rating: -4° to +180°F (-20° to +85°C)
Electrical Life: 6,000 cycles
Mechanical Life: 10,000 cycles
Terminal Type: .250" Tab Q.C.
Mounting Hole: .480 (12.2)

On/Off Metal Toggle w/Cover

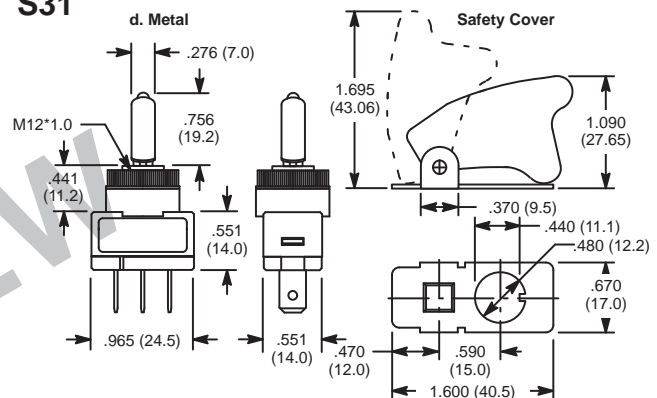
Features

- Illuminated Switch Includes Safety Cover
- .250" Quick-Connect Terminals



NTE Type No.	Circuitry	Action			Actuator			Diag No.	
					Material	Color			Vltg
						Neon	LED		
54-721	SPST	ON	NONE	OFF	PC	-	Red	DC	S31d

S31



Specifications

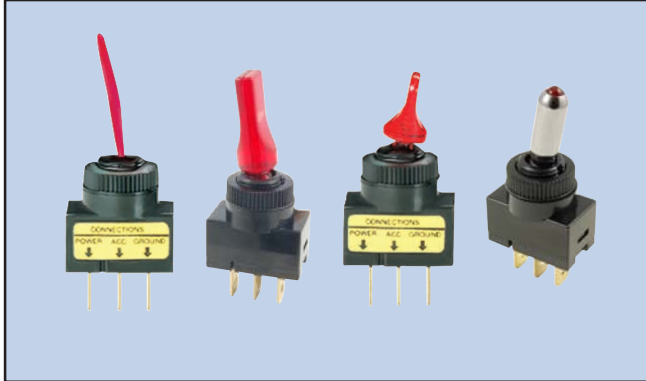
Current Rating: 20A 12VDC
Lens Color: See Table
Lamp Voltage: 12V Neon (AC) & 12V LED (DC)
Insulation Resistance: 100 Megohms (min.) at 500VDC
Dielectric Strength: 1000V RMS (min.)
Temperature Rating: -4° to +180°F (-20° to +85°C)
Electrical Life: 25,000 cycles
Mechanical Life: 100,000 cycles
Terminal Type: .250" Tab Q.C.
Mounting Hole: .500 (12.7)

Illuminated Toggle Switches

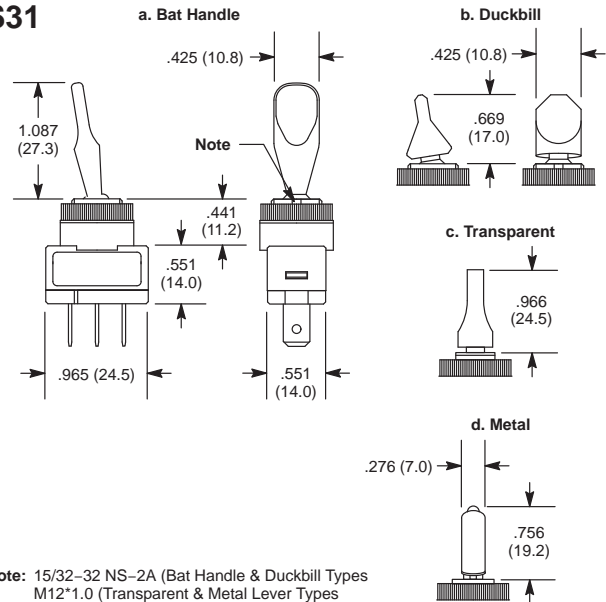
On/Off Bat Handle, Duckbill, Transparent, and Metal Toggle

Features

- Bat Handle, Duckbill, Transparent, and Metal Types
- .250" Quick-Connect Terminals



S31



Specifications

Current Rating: 20A 12VDC

Lens Color: See Table

Lamp Voltage: 12V Neon (AC) & 12V LED (DC)

Insulation Resistance: 100 Megohms (min.) at 500VDC

Dielectric Strength: 1000V RMS (min.)

Temperature Rating: -4° to +180°F (-20° to +85°C)

Electrical Life: 25,000 cycles

Mechanical Life: 100,000 cycles

Terminal Type: .250" Tab Q.C.

Mounting Hole: .500 (12.7)

NTE Type No.	Circuitry	Action			Actuator				Diag No.
					Material	Color		Vltg	
Neon	LED								
54-567	SPST	ON	NONE	OFF	PC	Red	-	AC	S31a
54-568	SPST	ON	NONE	OFF	PC	Green	-	AC	S31a
54-569	SPST	ON	NONE	OFF	PC	Amber	-	AC	S31a
54-570	SPST	ON	NONE	OFF	PC	Blue	-	AC	S31a
54-572	SPST	ON	NONE	OFF	PC	Red	-	AC	S31b
NEW 54-572-L	SPST	ON	NONE	OFF	PC	-	Red	DC	S31b
54-573	SPST	ON	NONE	OFF	PC	Amber	-	AC	S31b
54-574	SPST	ON	NONE	OFF	PC	Blue	-	AC	S31b
NEW 54-574-L	SPST	ON	NONE	OFF	PC	-	Blue	DC	S31b
54-575	SPST	ON	NONE	OFF	PC	Green	-	AC	S31b
NEW 54-575-L	SPST	ON	NONE	OFF	PC	-	Green	DC	S31b
NEW 54-705-R	SPST	ON	NONE	OFF	PC	-	Red	DC	S31c
NEW 54-705-A	SPST	ON	NONE	OFF	PC	-	Amber	DC	S31c
NEW 54-705-G	SPST	ON	NONE	OFF	PC	-	Green	DC	S31c
NEW 54-706-R	SPST	ON	NONE	OFF	PC	-	Red	DC	S31d
NEW 54-706-A	SPST	ON	NONE	OFF	Metal	-	Amber	DC	S31d
NEW 54-706-G	SPST	ON	NONE	OFF	Metal	-	Green	DC	S31d