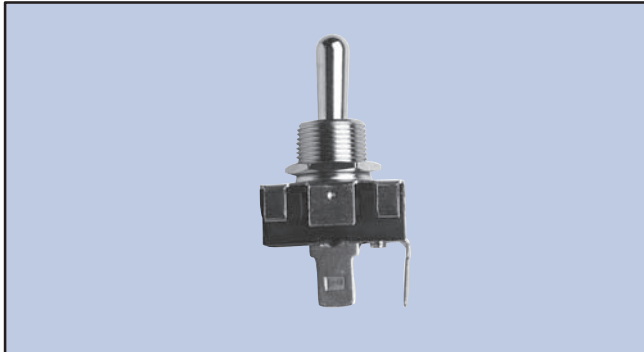


Bat Handle Toggle

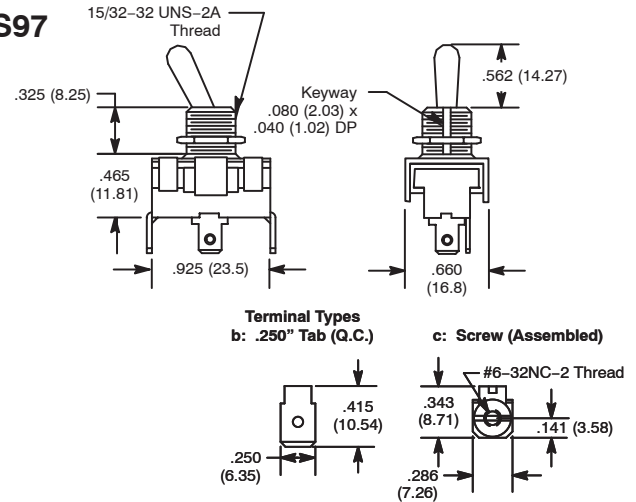


Features

- Slow-Make/Slow-Break Butt Contact
- 3/4 HP, 125-250VAC



S97



NTE Type No.	Circuitry	Action			Actuator	Diag No.
54-610	SPST	ON	NONE	OFF	Nickel Plated Brass	S97c
54-611	SPST	(ON)	NONE	OFF	Nickel Plated Brass	S97c
54-612	SPST	ON	NONE	(OFF)	Nickel Plated Brass	S97c
54-613	SPDT	ON	NONE	ON	Nickel Plated Brass	S97c
54-614	SPDT	ON	OFF	ON	Nickel Plated Brass	S97c
54-615	SPDT	(ON)	NONE	ON	Nickel Plated Brass	S97c
54-616	SPDT	(ON)	OFF	ON	Nickel Plated Brass	S97c
54-617	SPDT	(ON)	OFF	(ON)	Nickel Plated Brass	S97c
54-619	SPST	ON	NONE	OFF	Nickel Plated Brass	S97b
54-620	SPST	(ON)	NONE	OFF	Nickel Plated Brass	S97b
54-621	SPST	ON	NONE	(OFF)	Nickel Plated Brass	S97b
54-622	SPDT	ON	NONE	ON	Nickel Plated Brass	S97b
54-623	SPDT	ON	OFF	ON	Nickel Plated Brass	S97b
54-624	SPDT	(ON)	NONE	ON	Nickel Plated Brass	S97b
54-625	SPDT	(ON)	OFF	ON	Nickel Plated Brass	S97b
54-626	SPDT	(ON)	OFF	(ON)	Nickel Plated Brass	S97b

SPECIAL NOTE: () = Momentary Function

Specifications

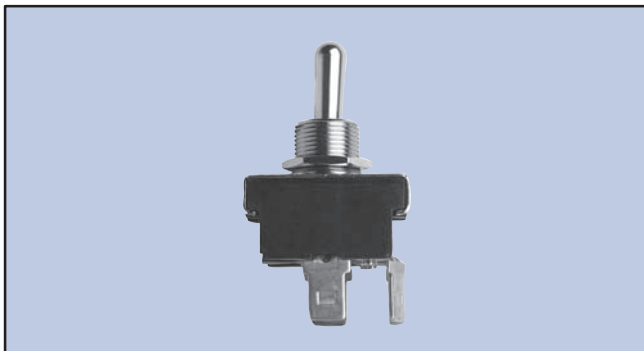
- Current Rating:** 20A 125VAC, 10A 250VAC, 3/4 HP 125-250VAC
- Insulation Resistance:** 10⁹ ohms (min.)
- Dielectric Strength:** 1000V RMS (min.)
- Temperature Rating:** +14° to +149°F (-10° to +65°C)
- Electrical Life:** 10,000 cycles (min.) at full load
- Mechanical Life:** 30,000 cycles (min.)
- Terminal Type:** Refer to Diag. No. in Table
- Mounting Hole:** .500 (12.7)

Bat Handle Toggle

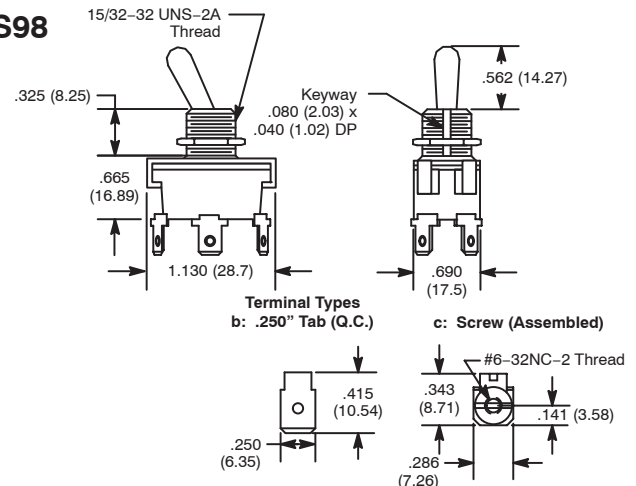


Features

- Slow-Make/Slow-Break Butt Contact
- 3/4 HP, 125-250VAC



S98



NTE Type No.	Circuitry	Action			Actuator	Diag No.
54-602	DPST	ON	NONE	OFF	Nickel Plated Brass	S98c
54-603	DPDT	ON	NONE	ON	Nickel Plated Brass	S98c
54-604	DPDT	ON	OFF	ON	Nickel Plated Brass	S98c
54-606	DPST	ON	NONE	OFF	Nickel Plated Brass	S98b
54-607	DPDT	ON	NONE	ON	Nickel Plated Brass	S98b
54-608	DPDT	ON	OFF	ON	Nickel Plated Brass	S98b

Specifications

- Current Rating:** 20A 125VAC, 10A 250VAC, 3/4 HP 125-250VAC
- Insulation Resistance:** 10⁹ ohms (min.)
- Dielectric Strength:** 1000V RMS (min.)
- Temperature Rating:** +14° to +149°F (-10° to +65°C)
- Electrical Life:** 10,000 cycles (min.) at full load
- Mechanical Life:** 30,000 cycles (min.)
- Terminal Type:** Refer to Diag. No. in Table
- Mounting Hole:** .500 (12.7)