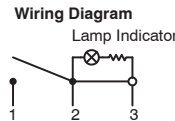
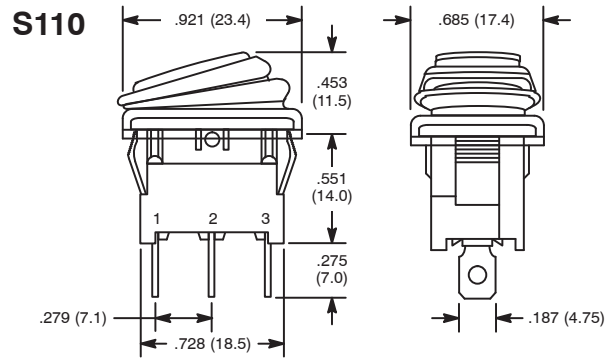


# Waterproof Miniature Illuminated Rocker



## Features

- Waterproof: IP65
- Single Pole
- .187" Quick Connect Terminals



**Table 1. Mounting Hole**

Panel Thickness	X
.030 (.750) - .059 (1.50)	.764 (19.40)
.059 (1.50) - .098 (2.50)	.780 (19.80)

Mounting Hole Dimensions: .512 (13.0) height, X width.

NTE Type No.	Circuitry	Action			Actuator			Diag No.	
					Material	Color			Vltg
		ON	NONE	OFF	Neon	LED			
54-200W	SPST	ON	NONE	OFF	PC	Red	-	AC	S110
54-201W	SPST	ON	NONE	OFF	PC	-	Red	DC	S110
54-202W*	SPDT	ON	NONE	ON	PC	Black		N/A	S110
54-203W	SPST	ON	NONE	OFF	PC	Green	-	AC	S110
54-204W	SPST	ON	NONE	OFF	PC	-	Green	DC	S110

\* Designates Non-Illuminated Type

## Specifications

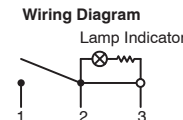
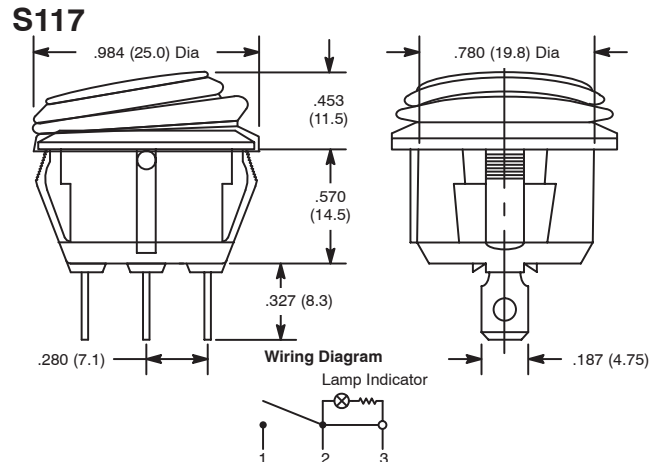
**Current Rating:** 16A 125VAC 1/3 HP, 10A 250VAC 1/2 HP  
**Lamp Voltage:** 110V Neon (AC) & 12V LED (DC)  
**Insulation Resistance:** 100 Megohms (min.) at 500VDC  
**Dielectric Strength:** 1000V RMS (min.)  
**Temperature Rating:** +32° to +185°F (0° to +85°C)  
**Electrical Life:** 10,000 cycles  
**Mechanical Life:** 50,000 cycles at full load  
**Terminal Type:** .187" Tab Q.C.  
**Mounting Hole:** See Table 1

# Waterproof Round Illuminated Rocker



## Features

- Waterproof: IP65
- Single Pole
- .187" Quick Connect Terminals



NTE Type No.	Circuitry	Action			Actuator			Diag No.	
					Material	Color			Vltg
		ON	NONE	OFF	Neon	LED			
54-503W*	SPST	ON	NONE	OFF	Nylon	Black		N/A	S117
54-526W	SPST	ON	NONE	OFF	Nylon	Green	-	AC	S117
54-527W	SPST	ON	NONE	OFF	Nylon	-	Red	DC	S117
54-529W	SPST	ON	NONE	OFF	Nylon	-	Green	DC	S117
54-531W	SPST	ON	NONE	OFF	Nylon	Red	-	AC	S117

\* Designates Non-Illuminated Type

## Specifications

**Current Rating:** 16A 125VAC, 10A 250VAC  
**Lamp Voltage:** 110V Neon (AC) & 12V LED (DC)  
**Insulation Resistance:** 100 Megohms (min.) at 500VDC  
**Dielectric Strength:** 1500V RMS (min.)  
**Temperature Rating:** +32° to +185°F (0° to +85°C)  
**Electrical Life:** 10,000 cycles  
**Mechanical Life:** 50,000 cycles at full load  
**Terminal Type:** .187" Tab Q.C.  
**Mounting Hole:** .795 (20.2)