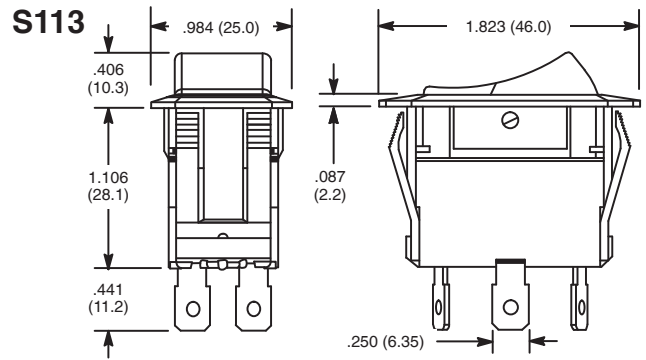


Waterproof Illuminated & Non-Illuminated Rocker



Features

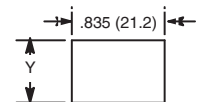
- Waterproof: IP66
- Single and Double Pole
- Available in Single and Dual Color Types
- .250" Quick Connect Terminals



Mounting Hole

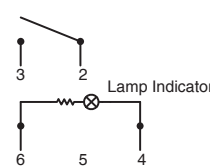
Table 1.

Panel Thickness	Y
.030 (.750) - .049 (1.25)	1.441 (36.6)
.049 (1.25) - .079 (2.00)	1.449 (36.8)
.079 (2.00) - .118 (3.00)	1.457 (37.0)

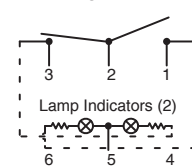


Wiring Diagram

SPST



SPDT



NTE Type No.	Circuitry	Action			Actuator			Diag No.
					Material	Color		
						Neon	LED	
54-225W*	SPST	ON	NONE	OFF	PC	Black	N/A	S113
54-226W*	DPDT	ON	NONE	ON	PC	Black	N/A	S113
54-227W*	SPDT	ON	NONE	ON	PC	Black	N/A	S113
54-228W*	SPDT	ON	OFF	ON	PC	Black	N/A	S113
54-229W*	DPDT	ON	OFF	ON	PC	Black	N/A	S113
54-230W	SPST	ON	NONE	OFF	PC	Red	-	AC S113
54-231W	SPST	ON	NONE	OFF	PC	-	Red	DC S113
54-232W	SPST	ON	NONE	OFF	PC	Green	-	AC S113
54-233W	SPST	ON	NONE	OFF	PC	-	Green	DC S113
54-234W	SPST	ON	NONE	OFF	PC	Blue	-	AC S113
54-235W	SPST	ON	NONE	OFF	PC	-	Blue	DC S113
54-238W#	SPDT	ON	NONE	ON	PC	Rd/Gn	-	AC S113
54-239W	SPDT	ON	NONE	ON	PC	-	Rd/Gn	DC S113
54-240W	SPDT	ON	OFF	ON	PC	Rd/Gn	-	AC S113
54-241W	SPDT	ON	OFF	ON	PC	-	Rd/Gn	DC S113
54-246W	SPDT	ON	NONE	ON	PC	Rd/Rd	-	AC S113
54-247W	SPDT	ON	NONE	ON	PC	-	Rd/Rd	DC S113
54-248W	SPDT	ON	OFF	ON	PC	Rd/Rd	-	AC S113
54-249W	SPDT	ON	OFF	ON	PC	-	Rd/Rd	DC S113
54-250W*	DPDT	(ON)	OFF	(ON)	PV	Black	N/A	S113

* Designates Non-Illuminated Type
SPECIAL NOTE: () = Momentary Function

Specifications

- Current Rating:** 21A 14VDC
20A, 125VAC (54-238W Only)
- Lamp Voltage:** 110V Neon (AC) & 12V LED (DC)
- Insulation Resistance:** 100 Megohms (min.) at 500VDC
- Dielectric Strength:** 1500V RMS (min.)
- Temperature Rating:** +32° to +149°F (0° to +65°C)
- Electrical Life:** 10,000 cycles
- Mechanical Life:** 50,000 cycles at full load
- Terminal Type:** .250" Tab Q.C.
- Mounting Hole:** See Table 1