

Fused Modular Probe, 4mm

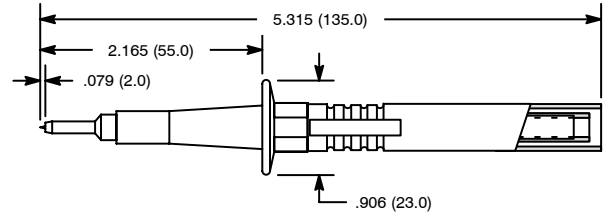
Features

- Accepts All Industry Standard 4mm Test Lead Plugs
- Fused Probe Protects User From Shock, Even if the Instrument is Fused
- Fuse is Easily Serviced Without the Use of Tools



NTE Type No.	Color	Replacement Fuse	Diag No.
72-022	Black	72-002	TL-008
72-023	Red	72-002	TL-008
72-023-KIT	Contains 1 ea. of 72-022 & 72-023		

TL-008



Specifications

IEC 1010 Rating: 1000V CAT3 / 600V CAT4 □ 0.5 Amps
 Fuse Rating: 500mA/1000V/50kA

North American Line Power Receptacle Test Adaptor

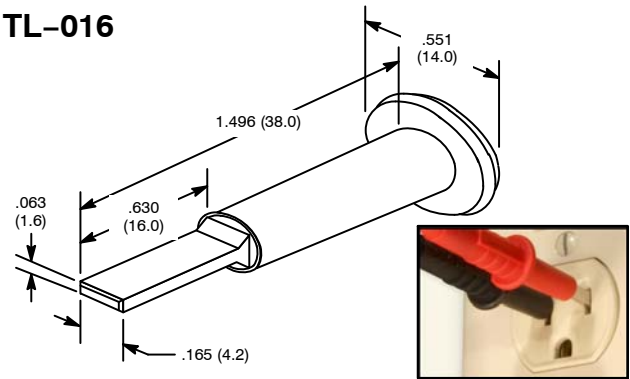
Features

- UL/CSA Compliant
- Accepts All Industry Standard 4mm Test Lead Plugs
- Bladed Probes Assure Sound Electrical Contact with Standard A/C Receptacles



NTE Type No.	Color	Diag No.
72-024	Black	TL-016
72-025	Red	TL-016
72-025-KIT	Contains 1 ea. of 72-024 & 72-025	

TL-016



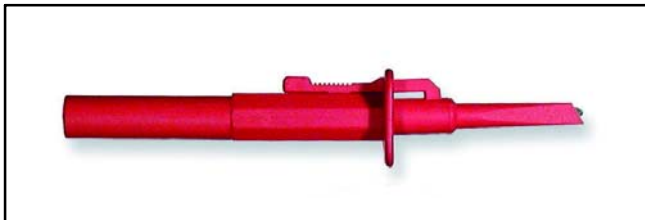
Specifications

IEC 1010 Rating: 1000V CAT3 / 600V CAT4 □ 30 Amps

Sprung Hook, 4mm

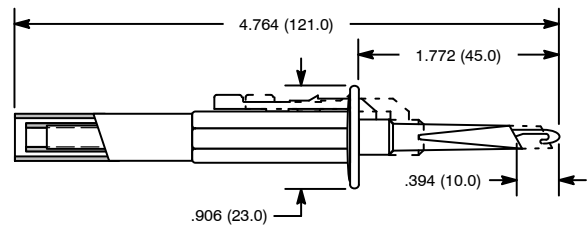
Features

- Accepts All Industry Standard 4mm Test Lead Plugs
- Ideal for Hands-Free Connection to IC Legs and Small Conductors



NTE Type No.	Color	Diag No.
72-017	Red	TL-009

TL-009



Specifications

IEC 1010 Rating: 1000V CAT3 / 600V CAT4 □ 20 Amps